

TSW-560P

5" Touch Screen, Portrait

- > Ultra clean, modern appearance
- > Thin profile and small footprint
- > Affordable and easy to install
- > Portrait-oriented 5" active-matrix color display
- > 540 x 960 qHD display resolution
- > Capacitive touch screen technology
- > Multi-touch capable
- > Smart Graphics® performance
- > Backlit soft-touch capacitive buttons
- > Any/all button hide feature
- > Auto-brightness control
- > Voice recognition capability^[1]
- > H.264 or MJPEG streaming video display
- > Built-in microphone and speakers
- > Rava® SIP intercom and phone technology
- > Native Sonos® app
- > Built-in PinPoint™ beacon^[3]
- > Customizable audio feedback
- > Built-in web browsing^[1]
- > On-screen multi-language keyboard
- > Customizable screensaver
- > Single-wire Ethernet connectivity
- > PoE network powered
- > Pre or post-construction wall mounting
- > Lectern mount over a rectangular cutout
- > TSW-UMB-60 Universal Mounting Bracket included
- > TSW-UMB-560P-PMK Pre-Construction Mounting Kit included
- > Masonry compatible back box available^[2]
- > Available in smooth black or white finish

Advanced Touch Screen Control

A Crestron® touch screen offers an ideal user-interface for controlling all the technology in your home, boardroom, classroom, courtroom, or command center. Touch screens simplify and enhance the way you use technology, doing away with those piles of remote controls, cluttered wall switches, disparate smartphone apps, and cryptic computer screens. For controlling audio, video, lighting, shades, HVAC, security, and other systems, Crestron touch screens are fully-customizable with easy-to-use controls and icons, true feedback and real-time status display, live streaming video, voice recognition, web browsing, and a full-featured media player for an enhanced multiroom entertainment experience.

With its clean, contemporary design highlighted by edge-to-edge glass and stunning color graphics, the Crestron TSW-560P touch screen makes an elegant statement on any wall or lectern. Perfectly at home in the most contemporary residence or modern office building, its high-tech good looks underline its power for simplifying everyday tasks and functions throughout any facility.



The TSW-560P delivers the ultimate touch screen experience in an unobtrusive, space-saving design featuring a brilliant portrait-oriented 5 inch capacitive touch screen display with Smart Graphics® and 5 soft-touch buttons. PoE connectivity and a range of mounting options make installation a breeze for both new and retrofit applications. Additional advanced features include the abilities to control any function using voice commands, view security cameras and other video sources, communicate using built-in intercom and phone capabilities, browse the Internet, and enjoy full access to your Sonos® Home Sound System.^[1]

Smart Graphics®

Crestron touch screens use Smart Graphics to deliver the ultimate user experience *and* the ultimate value by enabling the creation of dynamically rich user interfaces with incredible efficiency and unparalleled functionality. Using Smart Graphics, programmers can swiftly integrate fluid gesture-driven controls, animated feedback, rich metadata, embedded apps and widgets, and full-motion video for a deeply engaging and ultra-intuitive touch screen experience.

Crestron Smart Graphics offers these enhancements and more:

- Cool-looking graphical buttons, sliders, knobs, and gauges that are intuitive and fun to use
- Kinetic effects to enhance the feeling of realism, with lists and toolbars that scroll with momentum at the flick of a fingertip
- Drag-and-drop objects that snap into place, offering an easy way to switch sources
- Dashboard widgets to personalize the touch screen with clocks, weather, news, and other information^[1]

TSW-560P 5" Touch Screen, Portrait

- A power-saving screensaver that allows display of time, temperature, and other text content at a reduced brightness level
- Customizable themes allowing a completely different look and feel for every user, event, or season
- Fully-developed SmartObjects® that enable sophisticated control over complex devices with minimal programming
- A consistent look and feel across multiple touch screens of varying sizes

Soft-Touch Buttons

The TSW-560P includes five backlit, soft-touch capacitive buttons for quick access to commonly used functions. These buttons are pre-labeled with icons for “Power”, “Home”, “Lights”, “Up”, and “Down” functions. Each button is programmable via the control system for custom functionality, and any unused button can be hidden by simply turning off its backlight.

Auto-Brightness Control

To ensure optimal visibility under varying lighting conditions, the TSW-560P includes a built-in light sensor, which regulates the brightness of the display and button backlighting according to the ambient light level in the room. Separate auto-brightness settings are provided for the display and buttons to allow each to be adjusted or defeated as needed.

Voice Recognition

Some things are easier *said* than *done*, so why not just *say* what you want and let Crestron *do* it for you? With built-in voice recognition, the TSW-560P provides the ability to use spoken commands to control virtually anything. Voice recognition can be used to quickly turn devices on or off, select and play a specific media title or playlist, change the channel, choose a lighting scene, lock the doors, arm the security system, or enter a password. Simply say a command and Crestron does the rest.^[1]

Streaming Video

High-performance streaming video capability makes it possible to view security cameras and other video sources right on the touch screen. Native support for H.264 and MJPEG formats allows the TSW-560P to display live streaming video from an IP camera, a streaming encoder (Crestron [CEN-NVS200](#), [DM-TXRX-100-STR](#), or similar^[2]), or a [DigitalMedia™](#) switcher. Video is delivered to the touch screen over Ethernet, eliminating the need for any extra video wiring.

Rava® SIP Intercom

[Rava SIP Intercom Technology](#) enables hands-free VoIP communication with other Rava-enabled touch screens and door stations. Rava works over Ethernet, supporting 2-way intercom and paging without requiring any special wiring. VoIP phone capability is also possible through integration with a SIP-compatible IP phone system or SIP server, allowing hands-free telephone functionality complete with speed-dialing, caller ID, custom ringers, and other enhancements. Built-in echo cancellation affords full-duplex performance for clear, seamless voice communication using the TSW-560P's integrated microphone and speakers.

Sonos® App

Merging technologies from Sonos and Crestron brings a whole-house music experience like no other. From any touch screen in the house, a family can effortlessly browse for tracks, artists, or playlists using all the



TSW-560P-W-S — Shown in white

services available from Sonos and instantly play them in any room using Sonos wireless speakers or a Crestron Sonnex® Multiroom Audio System. The Sonos app runs natively on the TSW-560P, enabling enhanced control of Sonos products as part of a complete Crestron system. The app checks for updates nightly so it's always current.^[1]

PinPoint™ Beacon (Coming Soon)

The built-in PinPoint proximity detection beacon enhances the intelligence and personalization of a Crestron system by enabling an iPhone® or iPad® device to always know what room it's in. It works with the [Crestron App](#) or [Crestron PinPoint App](#), using Bluetooth® technology to determine when the mobile device is in or near the same room as the beacon, and signals the mobile app to automatically display the appropriate controls and information for that location.^[3]

Web Browsing

Using its built-in web browser, the TSW-560P provides quick access to online program guides and other web-based services at the touch of a button, allowing enhanced touch screen control of DVRs and other appliances without having to pick up a separate tablet or smartphone. If a device can be controlled or managed through a web browser, it can be integrated into the Crestron system through the TSW-560P. Of course, the web browser may also be used to simply browse the Internet, check traffic conditions, or look up a recipe.^[1]

On-Screen Keyboard

Typing in passwords, URLs, and text searches is facilitated using the on-screen multi-language keyboard.

Multi-Touch Support

The TSW-560P's capacitive touch screen affords enhanced capabilities for browsing web pages using multi-touch gestures.

TSW-560P 5" Touch Screen, Portrait

Audio Feedback

Customized audio files can be loaded to add another dimension to the touch screen graphics using personalized sounds, button feedback, and voice prompts.

Single-Wire Connectivity

A simple Ethernet LAN connection is all that is required to wire the TSW-560P, containing all control, video, intercom, and power signals within a single wire.

Power over Ethernet

Using PoE technology, the TSW-560P gets its operating power right through the LAN wiring. PoE (Power over Ethernet) eliminates the need for a local power supply or any dedicated power wiring. A PoE Injector ([PWE-4803RU](#)^[2]) simply connects in line with the LAN cable at a convenient location. Crestron PoE switches ([CEN-SW-POE-5](#) or [CEN-SWPOE-16](#)^[2]) may also be used to provide a total networking solution with built-in PoE.

Simple, Versatile Mounting

The TSW-560P is easily installed into drywall and other surfaces using the included [TSW-UMB-60](#) Universal Mounting Bracket. By itself, the TSW-UMB-60 provides a post-construction solution for retrofitting the TSW-560P into existing drywall. For pre-construction applications, the TSW-UMB-60 can be used along with the included [TSW-UMB-560P-PMK](#) Pre-Construction Mounting Kit. Masonry and concrete applications are accommodated using the TSW-UMB-60 along with a [TSW-UMB-60-BBI](#) back box (sold separately). When installed, the touch screen protrudes just 1/2 inch from the mounting surface and latches firmly into the mounting bracket leaving no visible screws for an ultra clean appearance.

Secure Mounting

Every TSW-560P includes an optional security latch for installations in which the physical security of the touch screen is important. When installed, the security latch ensures that a casual passerby cannot remove the TSW-560P from its mounted position in the wall. The latch can only be disengaged through a special removal sequence, protecting the touch screen against theft while still allowing serviceability where required.

SPECIFICATIONS

Touch Screen Display

Display Type: TFT active matrix color LCD
Size: 5 inch (127 mm) diagonal
Aspect Ratio: 16:9 qHD
Resolution: 540 x 960 pixels
Brightness: 400 nits (cd/m²)
Contrast: 750:1
Color Depth: 24-bit, 16.7M colors
Illumination: Edgelit LED w/auto-brightness control
Viewing Angle: ±80° horizontal, ±80° vertical
Touch Screen: Projected capacitive, 5-point multi-touch capable

Buttons

Hard Keys: (5) Projected capacitive pushbuttons, backlit w/auto-brightness control, per-button show/hide (backlight enable/disable), pre-labeled with icons for "Power", "Home", "Lights", "Up", and "Down"

Reset: (1) Miniature pushbutton on rear panel for hardware reset

Graphics Engine

Crestron Smart Graphics, multi-language web browser^[1], multi-language on-screen keyboard, screensaver, single scalable streaming video window, native Sonos app^[1]

Languages

Smart Graphics: Arabic, Chinese (Simplified), Chinese (Traditional), Czech, Danish, Dutch, English (UK), English (US), Finnish, French, German, Greek, Hebrew, Hungarian, Italian, Japanese, Korean, Norwegian, Polish, Portuguese, Portuguese (Brazilian), Romanian, Russian, Slovak, Spanish, Swedish, Thai

On-Screen Keyboard: Arabic, Chinese (Simplified), Croatian, Czech, Danish, Dutch, English (UK), English (US), Finnish, French (Canada), French (Switzerland), German, Hebrew, Hungarian, Italian, Japanese, Norwegian Bokmal, Polish, Portuguese, Russian, Serbian, Spanish, Swedish, Turkish

Voice Recognition: Afrikaans (South Africa); Chinese, Mandarin (China, Simplified); Chinese, Mandarin (Hong Kong, Simplified); Chinese, Mandarin (Taiwan, Traditional); Chinese, Yue (Hong Kong, Traditional); Czech (Czech Republic); Dutch (Netherlands); English (Australia); English (Canada); English (Generic); English (India); English (New Zealand); English (South Africa); English (UK); English (US); French (France); German (Germany); isiZulu (South Africa); Italian (Italy); Japanese (Japan); Korean (South Korea); Polish (Poland); Portuguese (Brazil); Russian (Russia); Spanish (Spain); Turkish (Turkey)

Web Browser: Arabic, Bulgarian, Catalan, Chinese, Croatian, Czech, Danish, Dutch, English, Filipino, Finnish, French, German, Greek, Hebrew, Hindi, Hungarian, Indonesian, Italian, Japanese, Korean, Latvian, Lithuanian, Norwegian Bokmal, Pashto, Persian, Polish, Portuguese, Romanian, Romansh, Russian, Serbian, Slovak, Slovenian, Spanish, Swedish, Thai, Turkish, Ukrainian, Vietnamese

Memory

RAM: 2 GB DDR3L

Storage: Firmware/Application: 4 GB Class 10 microSD card;
System: 4 GB eMMC

Maximum Project Size: 600 MB

Communications

Ethernet: 10/100 Mbps, auto-switching, auto-negotiating, auto-discovery, full/half duplex, TCP/IP, UDP/IP, CIP, DHCP, SSL, TLS, SSH, SFTP (SSH File Transfer Protocol), IEEE 802.1X, SNMP, IPv4 or IPv6, IEEE 802.3at Type 1 compliant

Bluetooth: Crestron PinPoint proximity detection beacon^[3]

TSW-560P 5" Touch Screen, Portrait

Streaming Decoder

Video Formats: H.264 (MPEG-4 part 10 AVC), MJPEG

Audio Formats: AAC stereo

Bitrates: Up to 25 Mbps (20 Mbps maximum recommended)

Streaming Input Resolutions: Up to 1920x1080@30fps

Streaming Protocol: RTSP

Audio

Features: Built-in microphone and speakers, Rava SIP Intercom, multi-language voice recognition ^[1]

Audio Feedback Formats: MP3

Connectors

LAN PoE: (1) 8-pin RJ45 with 2 LED indicators; 10Base-T/100Base-TX Ethernet port, Power over Ethernet compliant; Green and yellow LEDs indicate Ethernet port status

USB: (1) USB Type A female; (not used)

Power

Power over Ethernet: IEEE 802.3at Type 1 (802.3af compatible) Class 3 (12.95 W) PoE Powered Device

Environmental

Temperature: 32° to 112° F (0° to 45° C)

Humidity: 10% to 90% RH (non-condensing)

Heat Dissipation: 44 BTU/hr

Enclosure

Construction: Plastic, smooth black or white finish, edge-to-edge glass with black or white surround

Mounting: Surface mount over a 3-3/4" H x 2-1/5" W (96 mm H x 56 mm W) cutout, 2-13/16" (72 mm) minimum mounting depth, 1-1/4" (32 mm) maximum mounting surface thickness, pre/post-construction mounting bracket assembly included, optional back box sold separately

Dimensions

Height: 5.68 in (145 mm)

Width: 3.49 in (89 mm)

Depth: 1.52 in (39 mm)

Dimensions do not include the mounting bracket

Weight

9.5 oz (267 g)

MODELS & ACCESSORIES

Available Models

TSW-560P-B-S: 5" Touch Screen, Portrait, Black Smooth

TSW-560P-W-S: 5" Touch Screen, Portrait, White Smooth

Included Accessories

TSW-UMB-60: Universal Mounting Bracket for TSW-x60 Series (Qty. 1 included)

TSW-UMB-560P-PMK: Portrait-Oriented Pre-Construction Mounting Kit for TSW-UMB-60 (Qty. 1 included)

Available Accessories

TSW-UMB-60-BBI: Wall Mount Back Box for TSW-UMB-60

PWE-4803RU: PoE Injector

CEN-SW-POE-5: 5-Port PoE Switch

CEN-SWPOE-16: 16-Port Managed PoE Switch

CEN-NVS200: Network Video Streamer

DM-TXRX-100-STR: HD Streaming Transmitter/Receiver

Notes:

1. Voice recognition, web browsing, weather information, Sonos app, and certain other functions require an Internet connection.
2. Item(s) sold separately.
3. PinPoint beacon functionality will be enabled through a future firmware update. When enabled, the TSW-560P will provide an integrated, equivalent alternative to the standalone PP-100 beacon. For more details, refer to the PP-100 spec sheet. Bluetooth technology is used solely for proximity detection and does not transmit or receive any control, multimedia, or personal data. PinPoint beacons are only visible to Bluetooth enabled devices that are specifically programmed and configured to work with your system. PinPoint is currently only compatible with Apple® iOS® devices.

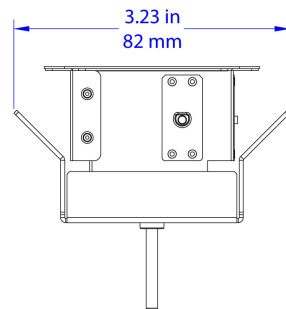
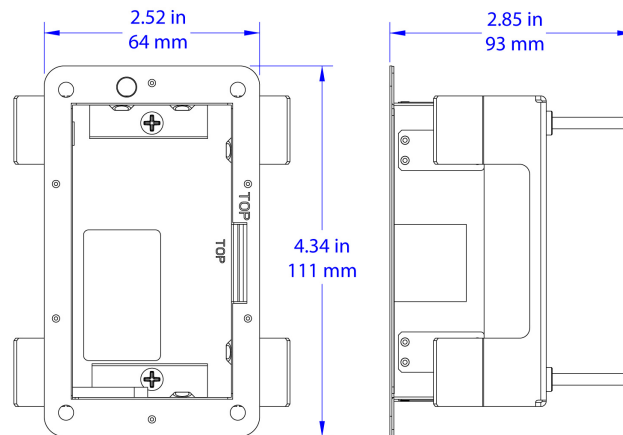
This product may be purchased from an authorized Crestron dealer. To find a dealer, please contact the Crestron sales representative for your area. A list of sales representatives is available online at www.crestron.com/salesreps or by calling 800-237-2041.

The specific patents that cover Crestron products are listed online at: patents.crestron.com.

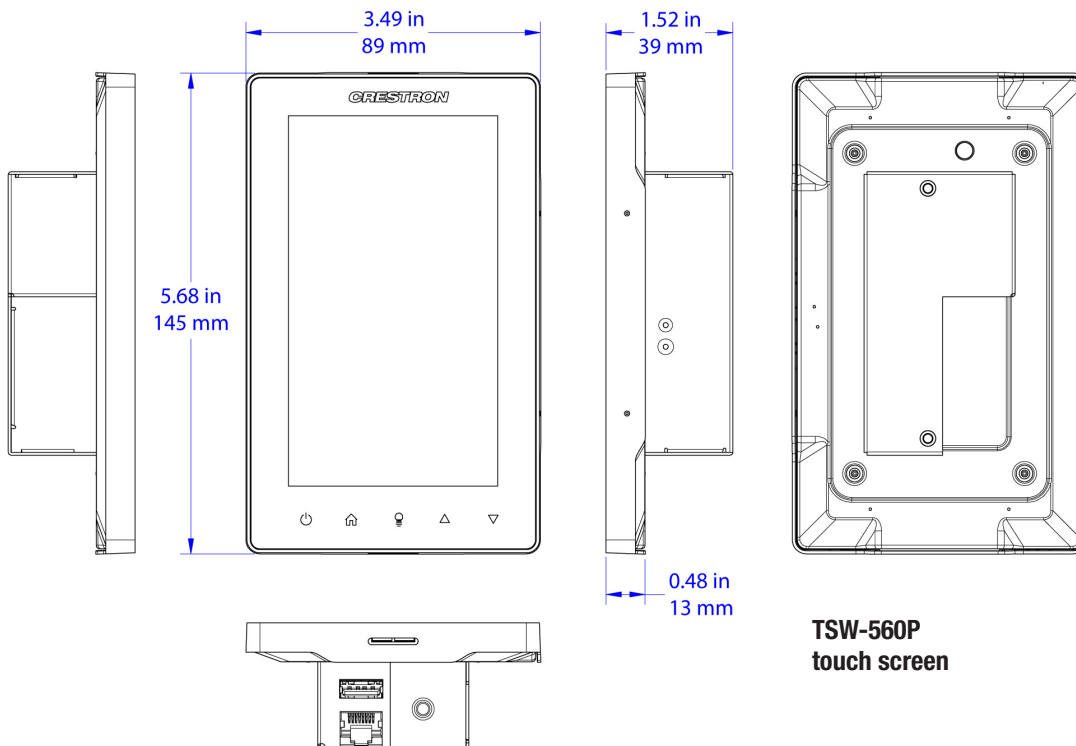
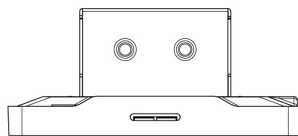
Certain Crestron products contain open source software. For specific information, please visit www.crestron.com/opensource.

Crestron, the Crestron logo, DigitalMedia, PinPoint, Rava, Smart Graphics, SmartObjects, and Sonnex are either trademarks or registered trademarks of Crestron Electronics, Inc. in the United States and/or other countries. Apple, iPad, and iPhone are either trademarks or registered trademarks of Apple Inc. in the United States and/or other countries. Bluetooth is either a trademark or registered trademark of Bluetooth SIG, Inc. in the United States and/or other countries. IOS is either a trademark or registered trademark of Cisco Technology, Inc. in the United States and/or other countries. Sonos is either a trademark or registered trademark of Sonos, Inc. in the United States and/or other countries. Other trademarks, registered trademarks, and trade names may be used in this document to refer to either the entities claiming the marks and names or their products. Crestron disclaims any proprietary interest in the marks and names of others. Crestron is not responsible for errors in typography or photography. Specifications are subject to change without notice. ©2017 Crestron Electronics, Inc.

TSW-560P 5" Touch Screen, Portrait



TSW-UMB-60
wall mounting bracket
(included)



TSW-560P
touch screen